

OLE-3810

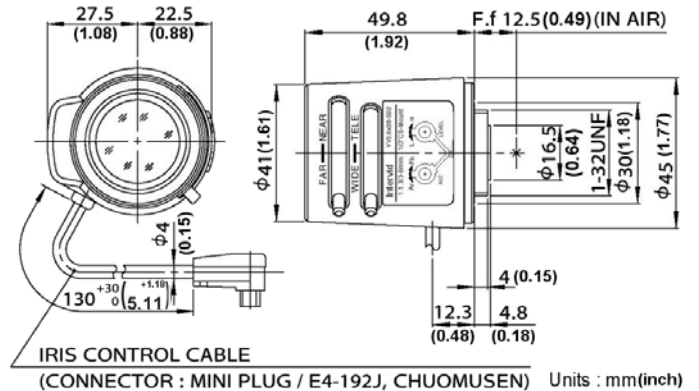
3.5-8mm Vari-focal, Auto Iris Lens



INCORPORATED

Sophisticated Security and Surveillance Systems

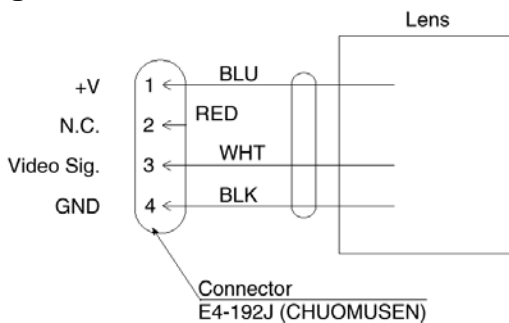
Description



Specifications

Video		Function	
Focal Length (Zoom Ratio)	3mm ~ 8mm (2.6x)	Iris	Auto (When power is turned off, iris will automatically be closed.)
Iris Range	F1.3 ~ T360 (Equivalent to F360)	Focus	Manual
Angle of View (HxV)	1/3"	Wide	89° 30' x 66° 52'
		Tele	34° 42' x 26° 02'
	1/4"	Wide	66° 52' x 50° 02'
		Tele	26° 02' x 19° 33'
Object Dimensions at M.O.D. (HxV)	1/3"	Wide	620mm x 413mm (24.4" x 16.25")
		Tele	195mm x 144mm (7.67" x 5.66")
	1/4"	Wide	413mm x 293mm (16.25" x 11.53")
		Tele	144mm x 108mm (5.66" x 4.25")
Focusing Range	∞ ~ 0.3m (from Front of Lens)	Power	
Back Focal Distance	8.07mm (in air)	Rating Voltage	+12V DC (+7V to +13V)
Filter Thread	-----	Current Consumption	30mA (Max.)
Exit Pupil Position	-38.2mm (from image plane)	Mechanical	
Input Signal	Composite Video Signal (1V (p-p) .Norm or Video Signal (07V (p-p) .Norm)	Mount	CS Mount
Input Impedance	10KΩ(Typ.)	Mass	Approx. 70g / 2.46 oz
Accuracy	Approx. 5% (at 0.5V A.P.L.)		
Level Control Range	0.5V~0.9V (A.P.L.) (Composite Video Sig.) 0.3V ~0.6V (A.P.L.) (Video Sig.)		

Wiring



<Available Model>
Long Cable Type (ℓ =330mm(12.99')

YV2.2 x 1.4A-S02L

YV2.6 x 3B -S02L

071005-2

*Specifications subject to change without notice.

www.intervid.com
800-337-8066

Page 1 of 1